

Pico-On Plus

P/N: X3110-US001-H3 / X3110-EU001-H3



Functional Specifications

RF air protocol	EPC Class 1 Gen 2; ISO18000-6C
Operating frequency	UHF 902-928 MHz (US); 866-868 MHz (EU)
IC type	Alien Higgs-3
Memory configuration	96-EPC bits; 512-bit user memory
Functionality	Read / write (user programmed)
Memory – expected read / write cycles	100,000 cycles at 77°F (25°C)
Data retention	Up to 50 years ¹
Read rate	400 tags per second for 96-EPC bit number
Warranty (limited)	1 year

Performance Characteristics

Read range on metal (2W ERP) ²	Up to 10 ft (3 m)
Polarization	Linear

Physical Specifications

Material	Ceramic
Mounting system	High performance adhesive
Color	Charcoal

Environmental and Industry Compliance

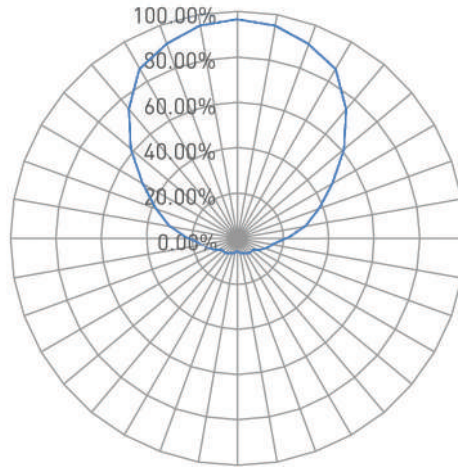
RoHS	EU Directive 2002/95/EC
ATEX	ATEX Compliant



¹ The chip data retention is based on chip operating under general environment conditions.

² Actual read range may vary based upon use case and antenna power.

Radiation Pattern



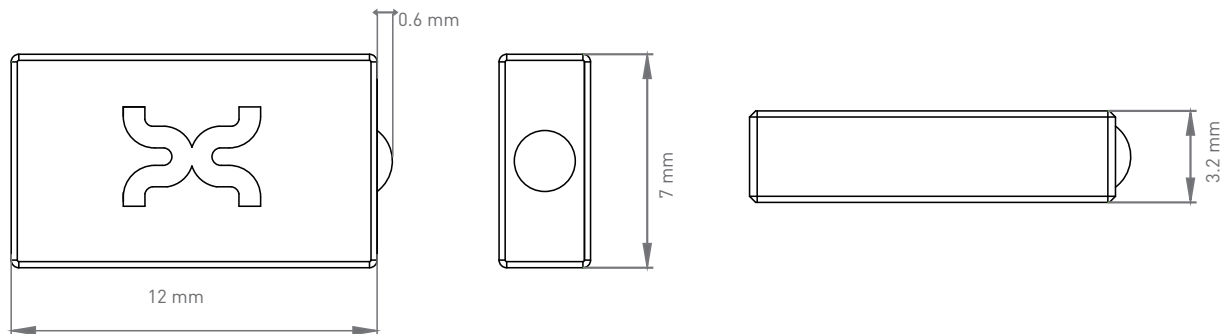
Operational and Environmental Specifications

Operational temperature	
Cold	-22°F (-30°C)
Dry heat	+185°F (+85°C)
Thermal shock	-22°F to 185°F (-30°C to +85°C); cycled

Application temperature	
Cold	-40°F (-40°C)
Dry heat	+302°F (+150°C)

Humidity	
Operational humidity	5%-95% non-condensing
Storage humidity	5%-95% non-condensing

Product Dimensions and Weight



Dimensions (mm)	12 x 7 x 3.2
-----------------	--------------

tolerance	+/- 0.3
-----------	---------

Dimensions (in)	0.47 x 0.28 x 0.13
-----------------	--------------------

tolerance	+/- 0.012
-----------	-----------

Weight	0.05 oz (1.4 g)
--------	-----------------